


**NTN BEARING CORPORATION OF AMERICA**

Head Office

1600 E. Bishop Court, P.O. Box 7604

Mount Prospect, IL 60056-7604, U.S.A.

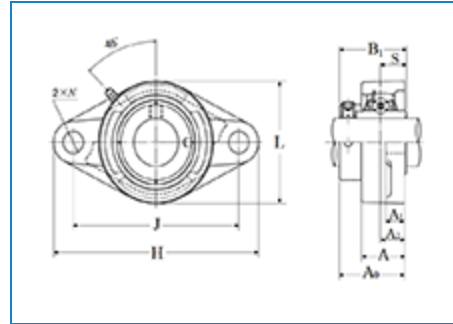
**Phone:** 847-298-7500

**Fax:** 847-699-9744

**Toll Free:** 800-323-2358

**Email:** [mkt@ntnamerica.com](mailto:mkt@ntnamerica.com)
**Website:** [www.ntnamericas.com](http://www.ntnamericas.com)

## Item # UELFL214-211D1, Two Bolt Rhombus Flanged Unit, Cast Housing, Eccentric Locking Collar, UELFL Type



[Order Now](#) | [Technical Specifications](#) | [Dimensional Specifications](#)

### Order Now

#### Ordering Options

[FIND A DISTRIBUTOR](#)
[CONTACT NTN CUSTOMER SUPPORT SPECIALIST](#)
[ORDER THROUGH NTN DOL \(AUTHORIZED DISTRIBUTORS ONLY\)](#)

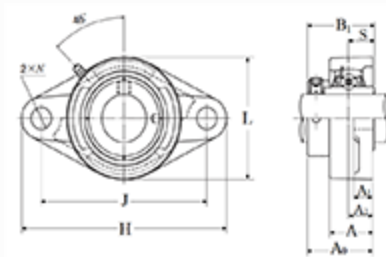
### Technical Specifications

**Type** 2-Bolt Rhombus Flanged Unit

**Bearing Type** Ball Bearing

<b>Locking Device</b>	Eccentric Locking Collar
<b>Seal Type</b>	Contact
<b>Seal Material</b>	Nitrile Rubber
<b>Bearing Number</b>	UEL214-211D1
<b>Housing Number</b>	FL214D1
<b>Housing Material</b>	Cast Iron
<b>Housing Construction</b>	1 Piece
<b>End Type</b>	Open
<b>Performance</b>	Light Duty
<b>Dynamic Load Rating</b>	13900 lbf 62000 N 62.00 kN
<b>Static Load Rating</b>	9900 lbf 44000 N 44.00 kN
<b>Rotational Speed [Max]</b>	2300.0 RPM
<b>Weight</b>	13.000 lb 5.900 kg
<b>Operating Temperature Range</b>	-40 to 250 °F -40 to 120 °C
<b>Lubrication</b>	Relubricatable

## Dimensional Specifications



Two Bolt Rhombus Flanged Unit, Cast Housing, Eccentric Locking Collar, UELFL Type - Dimensions

<b>d</b>	2.6875 in 68.263 mm
<b>H</b>	10.4375 in 265.0 mm
<b>L</b>	6.3125 in 160.0 mm
<b>J</b>	8.5000 in 216.0 mm
<b>A</b>	2.1250 in 54.0 mm
<b>A1</b>	0.8750 in 22.0 mm
<b>A2</b>	1.2187 in 31.0 mm
<b>N</b>	0.9062 in 23.0 mm
<b>B1</b>	3.3740 in 85.700 mm
<b>S</b>	1.3425 in 34.100 mm
<b>F</b>	0.3465 in 8.800 mm