


NTN BEARING CORPORATION OF AMERICA

Head Office

1600 E. Bishop Court, P.O. Box 7604

Mount Prospect, IL 60056-7604, U.S.A.

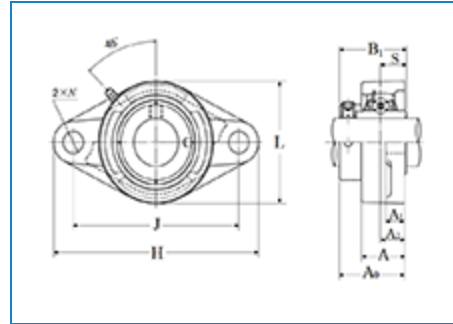
Phone: 847-298-7500

Fax: 847-699-9744

Toll Free: 800-323-2358

Email: mkt@ntnamerica.com
Website: www.ntnamericas.com

Item # UELFL206-102D1, Two Bolt Rhombus Flanged Unit, Cast Housing, Eccentric Locking Collar, UELFL Type



[Order Now](#) | [Technical Specifications](#) | [Dimensional Specifications](#)

Order Now

Ordering Options

[FIND A DISTRIBUTOR](#)
[CONTACT NTN CUSTOMER SUPPORT SPECIALIST](#)
[ORDER THROUGH NTN DOL \(AUTHORIZED DISTRIBUTORS ONLY\)](#)

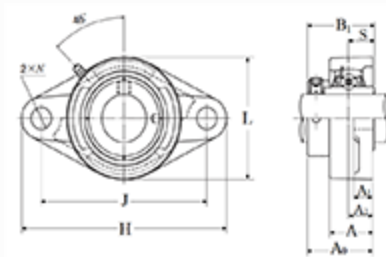
Technical Specifications

Type 2-Bolt Rhombus Flanged Unit

Bearing Type Ball Bearing

Locking Device	Eccentric Locking Collar
Seal Type	Contact
Seal Material	Nitrile Rubber
Bearing Number	UEL206-102D1
Housing Number	FL206D1
Housing Material	Cast Iron
Housing Construction	1 Piece
End Type	Open
Performance	Light Duty
Dynamic Load Rating	4400 lbf 19500 N 19.50 kN
Static Load Rating	2540 lbf 11300 N 11.30 kN
Rotational Speed [Max]	4900 RPM
Weight	2.200 lb 0.998 kg
Operating Temperature Range	-40 to 250 °F -40 to 120 °C
Lubrication	Relubricatable

Dimensional Specifications



Two Bolt Rhombus Flanged Unit, Cast Housing, Eccentric Locking Collar, UELFL Type - Dimensions

d	1.1250 in 28.575 mm
H	5.8125 in 148.0 mm
L	3.1562 in 80.0 mm
J	4.6094 in 117.0 mm
A	1.2187 in 31.0 mm
A1	0.5000 in 13.0 mm
A2	0.7031 in 18.0 mm
N	0.6250 in 16.0 mm
B1	1.9055 in 48.400 mm
S	0.7205 in 18.300 mm
F	0.1811 in 4.600 mm