


**NTN BEARING CORPORATION OF AMERICA**

Head Office

1600 E. Bishop Court, P.O. Box 7604

Mount Prospect, IL 60056-7604, U.S.A.

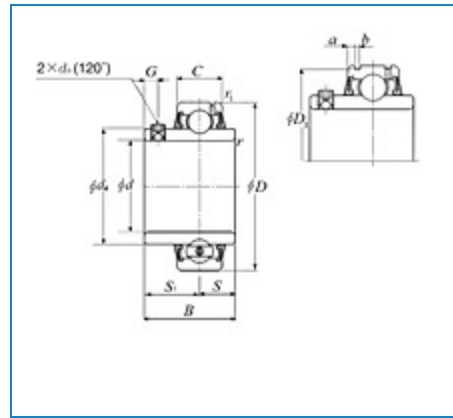
**Phone:** 847-298-7500

**Fax:** 847-699-9744

**Toll Free:** 800-323-2358

**Email:** [mkt@ntnamerica.com](mailto:mkt@ntnamerica.com)
**Website:** [www.ntnamericas.com](http://www.ntnamericas.com)

## Item # UCS205-100LD1N, Bearing Insert w/ Wide Set Screw - Cylindrical O.D., Snap Ring Groove



[Order Now](#) | [Technical Specifications](#) | [Dimensional Specifications](#) | [Specifications](#)

### Order Now

#### Ordering Options

[FIND A DISTRIBUTOR](#)
[CONTACT NTN CUSTOMER SUPPORT SPECIALIST](#)
[ORDER THROUGH NTN DOL \(AUTHORIZED DISTRIBUTORS ONLY\)](#)

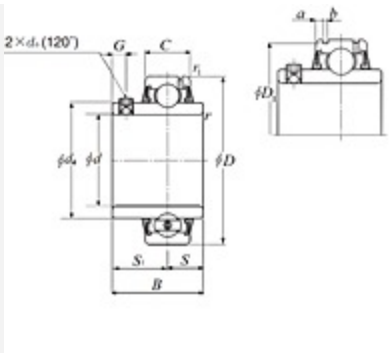
### Technical Specifications

**Type**

Insert Bearing

<b>Bore Type</b>	Round
<b>Bearing Type</b>	Ball Bearing
<b>Material</b>	Through Hardened Steel
<b>Ball Material</b>	Through Hardened
<b>Limiting Speed - Grease</b>	5900 RPM
<b>Seal Type</b>	Contact
<b>Seal Material</b>	Nitrile Rubber
<b>Precision Rating</b>	ISO Class 0
<b>Performance</b>	Standard Duty
<b>Locking Device</b>	2 -120° Set Screw
<b>Lubrication</b>	Outer Ring Re-Lubricatable
<b>Radial Internal Clearance</b>	CN
<b>Static Load Rating</b>	1765 lbf 7850 N 7.85 kN
<b>Dynamic Load Rating</b>	3147 lbf 14000 N 14.00 kN
<b>Enclosure</b>	Double Sealed
<b>Weight</b>	0.441 lb 0.200 kg
<b>Operating Temperature Range</b>	-40 to 250 °F -40 to 120 °C

## Dimensional Specifications



Bearing Insert w/ Set Screw, Wide Inner Ring - Cylindrical O.D., Snap Ring Groove - Dimensions

<b>d</b>	1.0000 in 25.400 mm
<b>D</b>	2.0472 in 52.000 mm
<b>C</b>	0.6693 in 17.000 mm
<b>B</b>	1.3425 in 34.100 mm
<b>r</b>	0.0394 in 1.000 mm
<b>r1</b>	0.0236 in 0.600 mm
<b>ds</b>	10-32 UNF
<b>G</b>	0.1969 in 5.000 mm
<b>d4</b>	1.3346 in 33.900 mm
<b>S1</b>	0.7795 in 19.800 mm
<b>S</b>	0.5630 in 14.300 mm
<b>a</b>	0.1260 in 3.200 mm
<b>b</b>	0.0591 in 1.500 mm

<b>D1</b>	1.9579 in 49.730 mm
<b>F</b>	0.1614 in 4.100 mm

## Specifications

<b>Radial Dynamic Load Rating</b>	3147 lbf 14000 N
<b>Lubrication</b>	Outer Ring
<b>Radial Static Load Rating</b>	1765 lbf 7850 N