



NTN BEARING CORPORATION OF AMERICA

Head Office

1600 E. Bishop Court, P.O. Box 7604

Mount Prospect, IL 60056-7604, U.S.A.

Phone: 847-298-7500

Fax: 847-699-9744

Toll Free: 800-323-2358

Email: mkt@ntnamerica.com

Website: www.ntnamericas.com

Item # UCF215-300D1, Four Bolt Square Flanged Unit, Cast Housing, Set Screw, UCF Type



[Order Now](#) | [Technical Specifications](#) | [Dimensional Specifications](#)

Order Now

Ordering Options

[FIND A DISTRIBUTOR](#)

[CONTACT NTN CUSTOMER SUPPORT SPECIALIST](#)

[ORDER THROUGH NTN DOL \(AUTHORIZED DISTRIBUTORS ONLY\)](#)

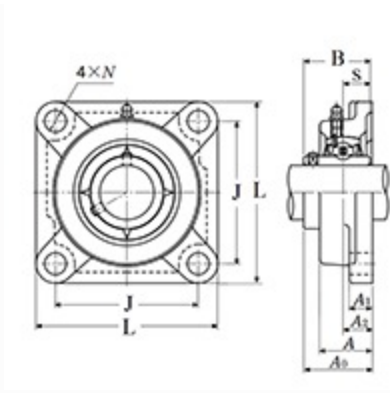
Technical Specifications

Type

4-Bolt Square Flanged Unit

Bearing Type	Ball Bearing
Locking Device	Set Screw
Seal Type	Contact
Seal Material	Nitrile Rubber
Bearing Number	UC215-300D1
Housing Number	F215D1
Housing Material	Cast Iron
Housing Construction	1 Piece
End Type	Open
Performance	Light Duty
Dynamic Load Rating	14837 lbf 66000 N 66.00 kN
Static Load Rating	11128 lbf 49500 N 49.50 kN
Rotational Speed [Max]	2100.0 RPM
Weight	14.377 lb 6.520 kg
Operating Temperature Range	-40 to 250 °F -40 to 120 °C
Lubrication	Relubricatable

Dimensional Specifications



Four Bolt Square Flanged Unit, Cast Housing, Set Screw, UCF Type - Dimensions

d	3.0000 in 76.200 mm
L	7.8750 in 200.0 mm
J	6.2656 in 159.0 mm
A	2.2187 in 56.0 mm
A0	3.0937 in 78.500 mm
A1	0.8750 in 22.0 mm
A2	1.3437 in 34.0 mm
N	0.7500 in 19.0 mm
B	3.0630 in 77.800 mm
S	1.3110 in 33.300 mm
F	0.3543 in 9.000 mm