


NTN BEARING CORPORATION OF AMERICA

Head Office

1600 E. Bishop Court, P.O. Box 7604

Mount Prospect, IL 60056-7604, U.S.A.

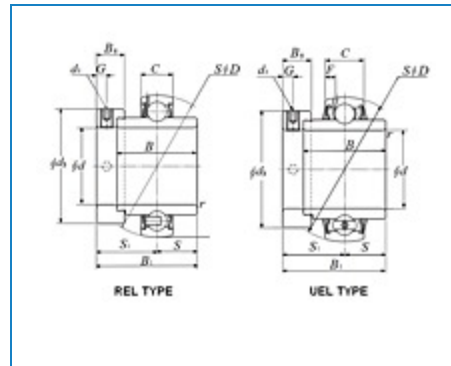
Phone: 847-298-7500

Fax: 847-699-9744

Toll Free: 800-323-2358

Email: mkt@ntnamerica.com
Website: www.ntnamericas.com

Item # UEL212-207D1, Bearing Insert w/ Eccentric Locking Collar, Wide Inner Ring - Spherical O.D.



[Order Now](#) | [Technical Specifications](#) | [Dimensional Specifications](#)

Order Now

Ordering Options

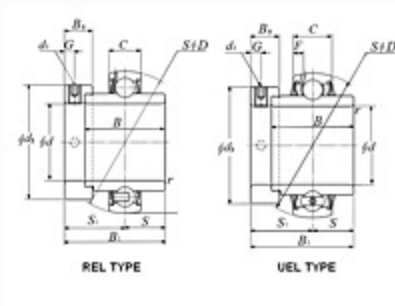
[FIND A DISTRIBUTOR](#)
[CONTACT NTN CUSTOMER SUPPORT SPECIALIST](#)
[ORDER THROUGH NTN DOL \(AUTHORIZED DISTRIBUTORS ONLY\)](#)

Technical Specifications

Type

Insert Bearing

Bore Type	Round
Bearing Type	Ball Bearing
Material	Through Hardened Steel
Ball Material	Steel
Limiting Speed - Grease	2500 RPM
Seal Type	Contact
Seal Material	Nitrile Rubber
Performance	Standard Duty
Configuration	One
Locking Device	Eccentric Locking Collar
Locking Device Part Number	EL212-207
Lubrication	Relubricatable
Collar Number	C-207#BCA
Basic Outer Ring	212
Radial Internal Clearance	CN
Static Load Rating	8093 lbf 36000 N 36.00 kN
Dynamic Load Rating	11803 lbf 52500 N 52.50 kN
Enclosure	Double Sealed
Weight	3.881 lb 1.760 kg
Operating Temperature Range	-40 to 250 °F -40 to 120 °C



Bearing Insert w/ Eccentric Locking Collar, Wide Inner Ring - Spherical O.D. - Dimensions

d	2-7/16 in 61.913 mm
D	4.3307 in 110.000 mm
C	1.0630 in 27.000 mm
B	2.4370 in 61.900 mm
B1	3.0630 in 77.800 mm
r	0.0787 in 2.000 mm
ds	3/8-24 UNF
G	0.3150 in 8.000 mm
d3	3.3071 in 84.000 mm
B5	0.8780 in 22.300 mm
S1	1.8425 in 46.800 mm
S	1.2205 in 31.000 mm
F	0.2441 in 6.200 mm

