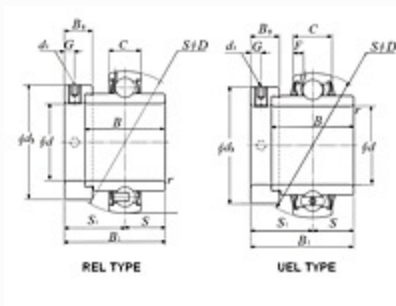




<b>Bore Type</b>	Round
<b>Bearing Type</b>	Ball Bearing
<b>Material</b>	Through Hardened Steel
<b>Ball Material</b>	Steel
<b>Limiting Speed - Grease</b>	4200 RPM
<b>Seal Type</b>	Contact
<b>Seal Material</b>	Nitrile Rubber
<b>Performance</b>	Standard Duty
<b>Configuration</b>	One
<b>Locking Device</b>	Eccentric Locking Collar
<b>Locking Device Part Number</b>	EL207-107
<b>Lubrication</b>	Relubricatable
<b>Collar Number</b>	EL207-107W3
<b>Basic Outer Ring</b>	207
<b>Radial Internal Clearance</b>	CN
<b>Static Load Rating</b>	3440 lbf 15300 N 15.30 kN
<b>Dynamic Load Rating</b>	5778 lbf 25700 N 25.70 kN
<b>Enclosure</b>	Double Sealed
<b>Weight</b>	1.372 lb 0.620 kg
<b>Operating Temperature Range</b>	-40 to 250 °F -40 to 120 °C



Bearing Insert w/ Eccentric Locking Collar, Wide Inner Ring - Spherical O.D. - Dimensions

<b>d</b>	1-7/16 in 36.513 mm
<b>D</b>	2.8346 in 72.000 mm
<b>C</b>	0.7874 in 20.000 mm
<b>B</b>	1.4803 in 37.600 mm
<b>B1</b>	2.0118 in 51.100 mm
<b>r</b>	0.0591 in 1.500 mm
<b>ds</b>	3/8-24 UNF
<b>G</b>	0.2677 in 6.800 mm
<b>d3</b>	2.1850 in 55.500 mm
<b>B5</b>	0.6890 in 17.500 mm
<b>S1</b>	1.2717 in 32.300 mm
<b>S</b>	0.7402 in 18.800 mm
<b>F</b>	0.1811 in 4.600 mm

